

1

2

3

4

5

6

A

B

C

D

E

F

G

H

A

B

C

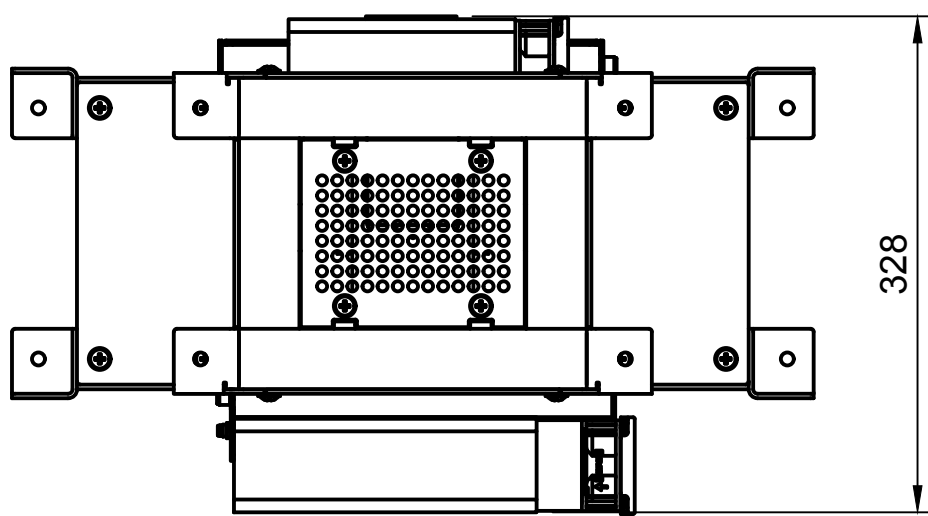
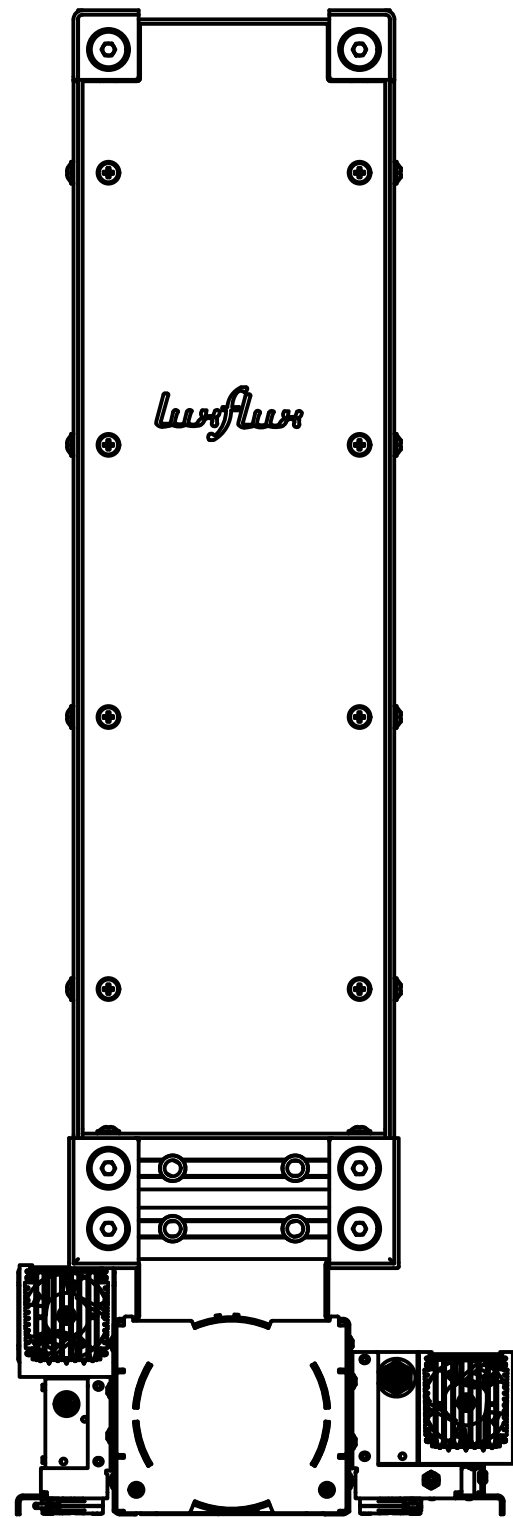
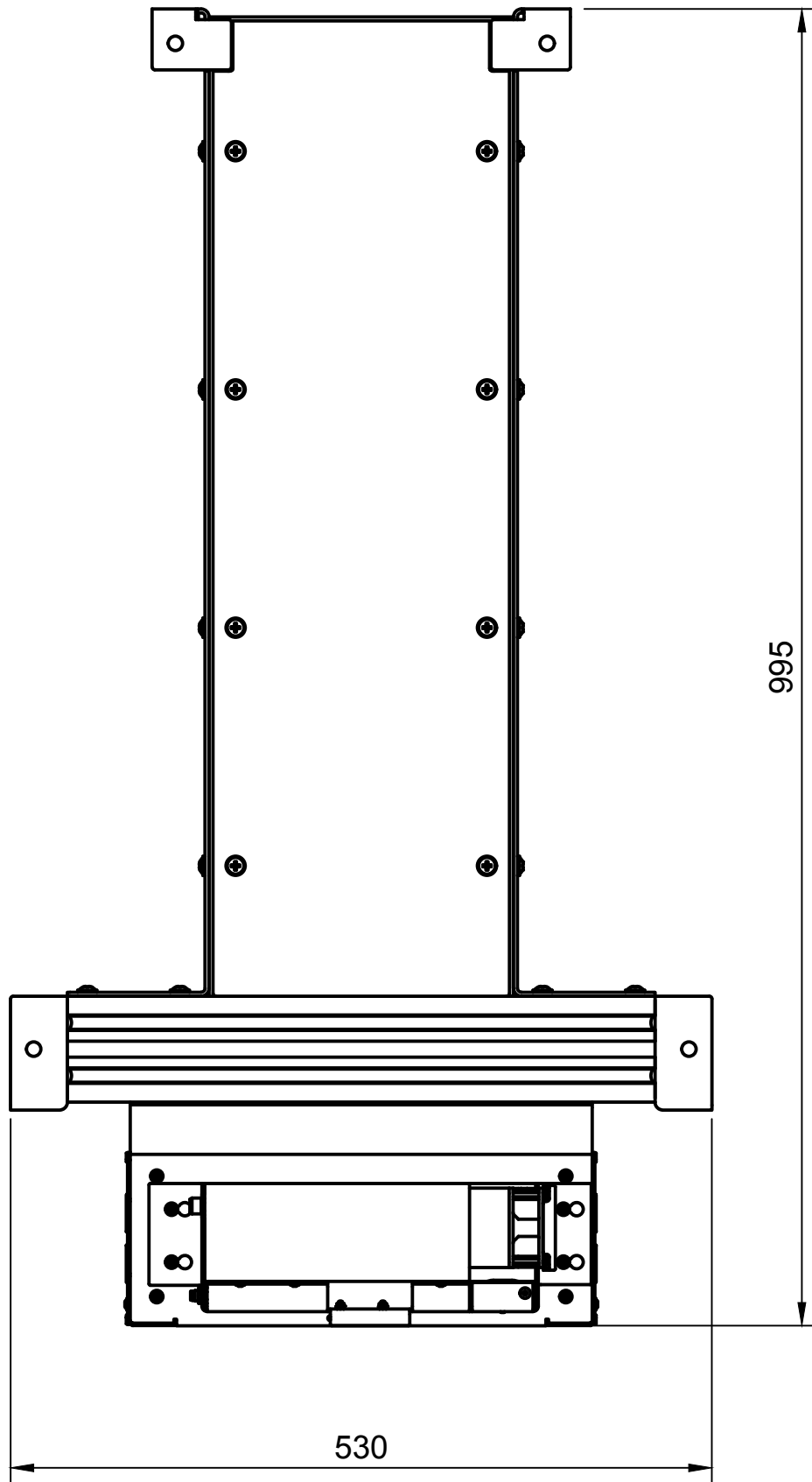
D

E

F

G

H



Dept.	Technical reference	Created by Jan Makowski	29.02.24	Approved by
		Document type	Document status	
		Title PSI-PV-C	DWG No.	
		Rev.	Date of issue	Sheet 1/1

1

2

3

4

5

6